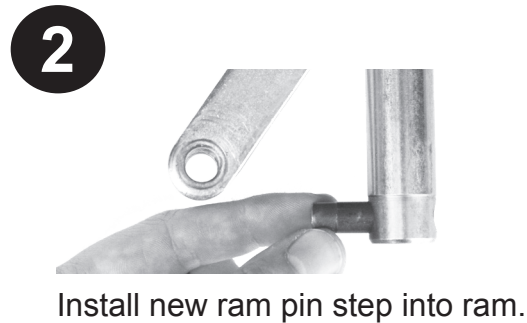


# LEE Challenger Toggle Replacement

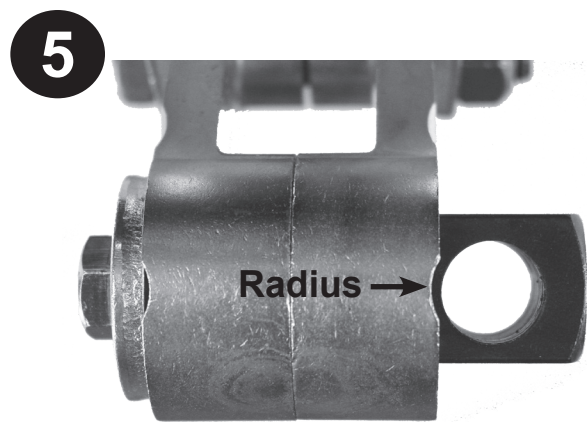
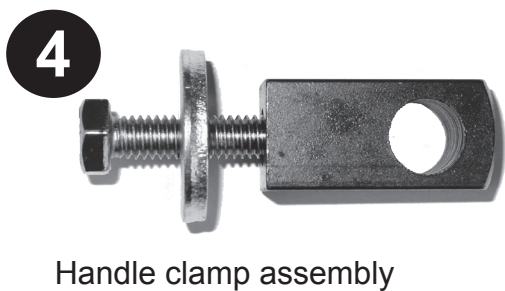
## Parts Required:

| PART # | Qty. | Description                  |
|--------|------|------------------------------|
| OF3221 | 1    | Ram Pin Step                 |
| FO2113 | 1    | 1 1/4 x 5/16-18 Bolt Grade 8 |
| OF3609 | 1    | 3/16" washer                 |
| OF3613 | 1    | Lever Clamp                  |
| OF2853 | 2    | Toggles                      |

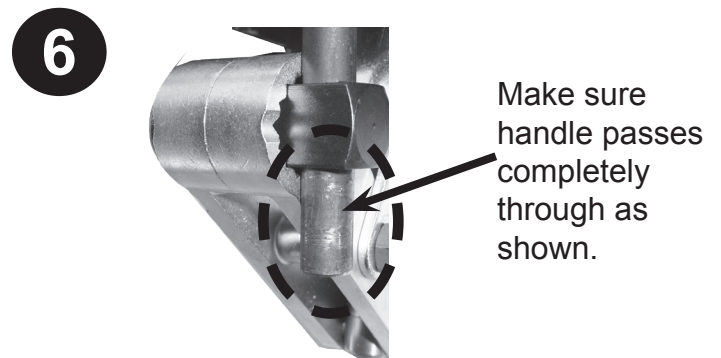
- 1** Remove lower pivot pin on connecting link and retainer.
- Slide off existing toggles and ram pin.



- 3** Re-install lower pivot pin into connecting link and through toggle, re-install retainer.



Slide handle clamp assembly into toggle and orientate hole in lever clamp with radius in toggle.



Slide handle into lever clamp assembly.

